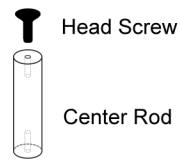
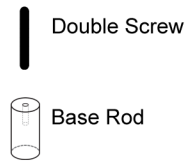


hayley:cherie



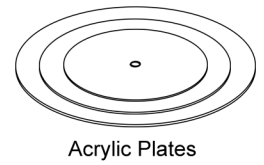
Head Screw

Center Rod



Double Screw

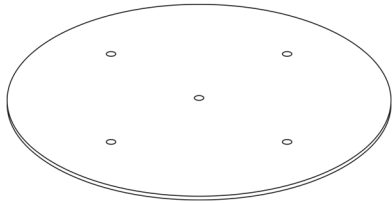
Base Rod



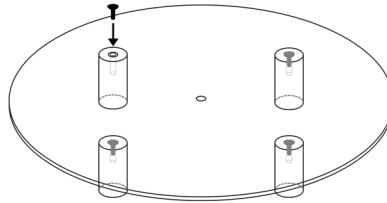
Acrylic Plates

Contents:

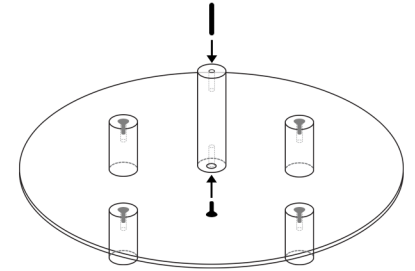
- 6 acrylic plates (6", 8", 10", 12", 14", 16")
- 5 center rods (4" high)
- 4 base rods (2" high)
- Double screws & head screws



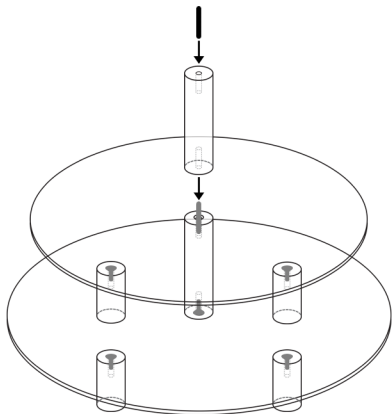
1. Begin with the largest acrylic plate with extra holes for the base rod.



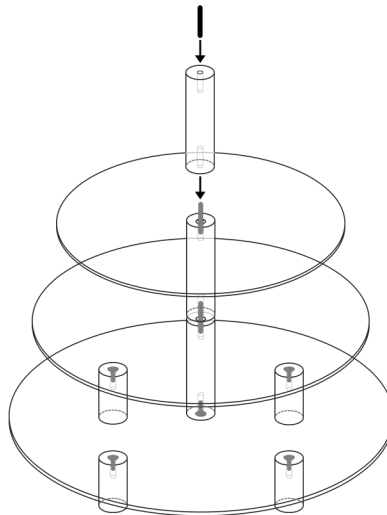
2. Use the head screws to attach the 4 base rods onto the largest acrylic plate. Use a screwdriver to screw them in tightly.



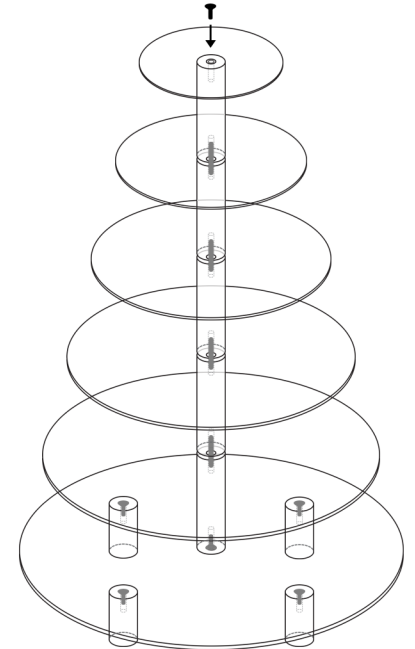
3. Place a head screw into the center hole then fix an acrylic rod onto it. Add a double screw into the acrylic rod.



4. Add on the next largest plate and another acrylic center rod.



5. Continue this process until all 6 tiers are attached.



6. Use a screwdriver to tighten the top headscrew.

Note: You do not have to use all the acrylic plates, this can also be used as a 5, 4, 3 or 2 tier stand.